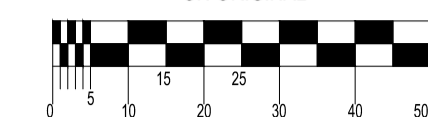
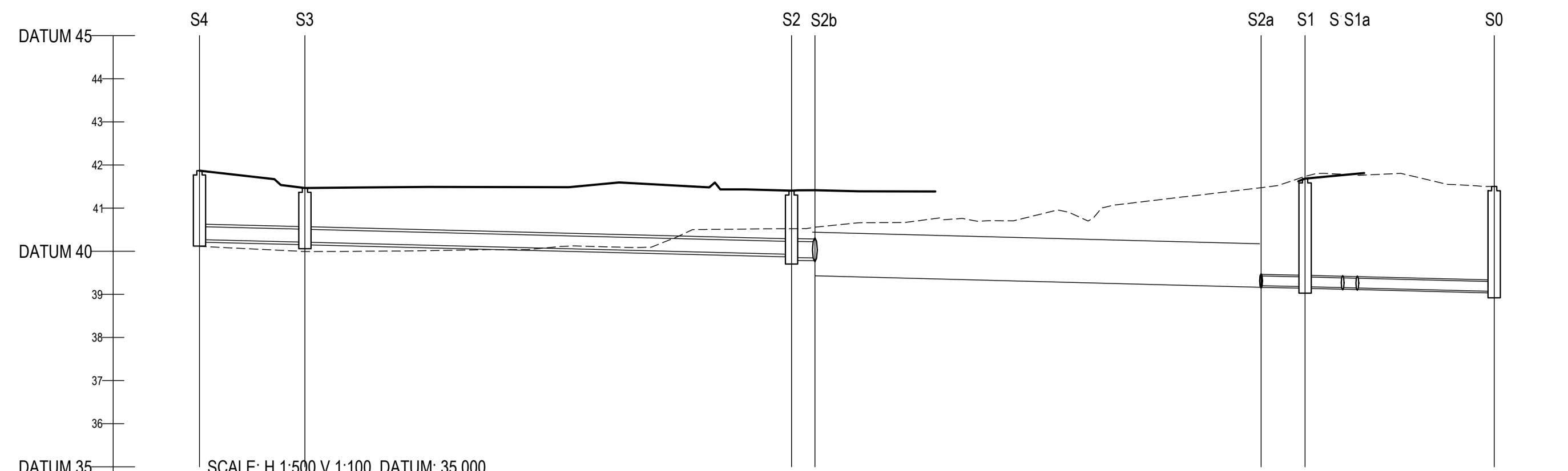


ON ORIGINAL



NOTES:

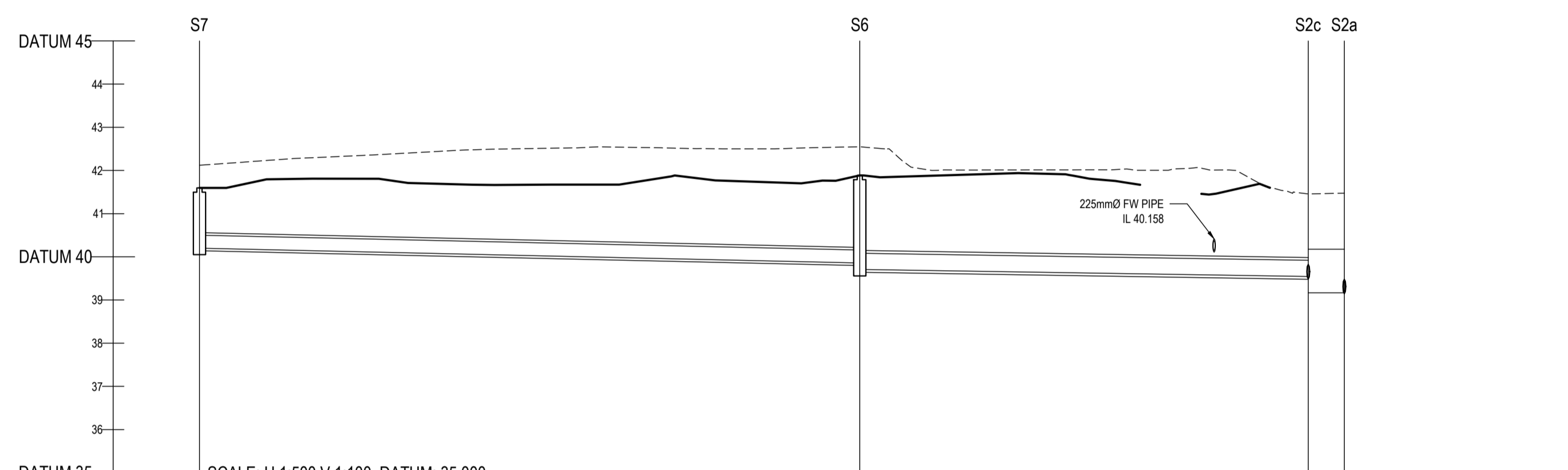
- GENERAL NOTES:
 1. ALL WORKS SHALL BE CONSTRUCTED IN ACCORDANCE WITH THE WORKS INFORMATION.
 2. ALL DIMENSIONS IN METRES UNLESS SPECIFIED OTHERWISE.
 3. ALL CO-ORDINATES ARE TO IRISH TRANSVERSE MERCATOR.
 4. ALL LEVELS ARE TO ORDANCE DATUM (MALIN HEAD).
 5. ALL TEMPORARY TRAFFIC & OPERATIONS MANAGEMENT SHALL COMPLY FULLY WITH THE WORKS INFORMATION.



COVER LEVEL	41.998	41.966	41.604	40.310	39.478	41.685	39.434	39.425	41.502
INVERT LEVEL	40.270	40.208	39.827	39.852	39.200	39.178	39.156	39.140	39.085
DEPTH (m)	1.728	1.758	1.527	1.532	3.469	2.507	3.354	4.100	2.417
DISTANCE (m)	12.22	56.38	2.71	51.70	5.10	4.35	1.70	15.86	2.43
PIPE SLOPE	1.200	1.200	1.387	1.80	1.232	1.200	1.195	1.202	
PIPE SIZE	300mm	300mm	375mm	ATTENUATION TANK	225mm	225mm	225mm	225mm	

KEY

- EXISTING GROUND PROFILE
 - - - PROPOSED GROUND PROFILE



COVER LEVEL	41.996	41.887	39.822	39.478
INVERT LEVEL	40.200	39.857	39.544	39.200
DEPTH (m)	1.796	2.179	1.566	3.469
DISTANCE (m)	76.51	51.97	4.18	
PIPE SLOPE	1.223	1.317	1.12	
PIPE SIZE	300mm	375mm	ATTENUATION TANK	

ORDNANCE SURVEY IRELAND LICENCE
 No EN 0017921
 © ORDNANCE SURVEY IRELAND GOVERNMENT OF IRELAND

P01	08-01-21	STAGE 3 SHD PLANNING	GMC	DMW
rev	date	description	by	chkd.
		A - Approved		
		B - Approved with comments		
		C - Do not use		

suitability issue purpose
 S2 - INFORMATION SHD STAGE 3 PLANNING



DUBLIN OFFICE: Ormond House, Upper Ormond Quay, Dublin 7, D07 W7D4
 PHONE +353 1 450 4000
 CORK OFFICE: Phoenix House, Monahan Road, Cork, T12 H1XV
 PHONE +353 (0) 21 2054538
 WATERFORD OFFICE: Suite 10 The Arkum, Maritime Gate, Canada Street, Waterford, X91 WC28
 PHONE +353 51 309 500

project ref.
 THE GROVE SHD – STUDENT ACCOMMODATION SCHEME

drawing title
 PROPOSED SURFACE WATER LONGSECTIONS

client
 COLBEAM LIMITED

designed by	author	scale	sheet size
AOS	JUB	AS NOTED	A1
drawing no.	revision		
200012-DBFL-SW-SP-DR-C-3001	P01		